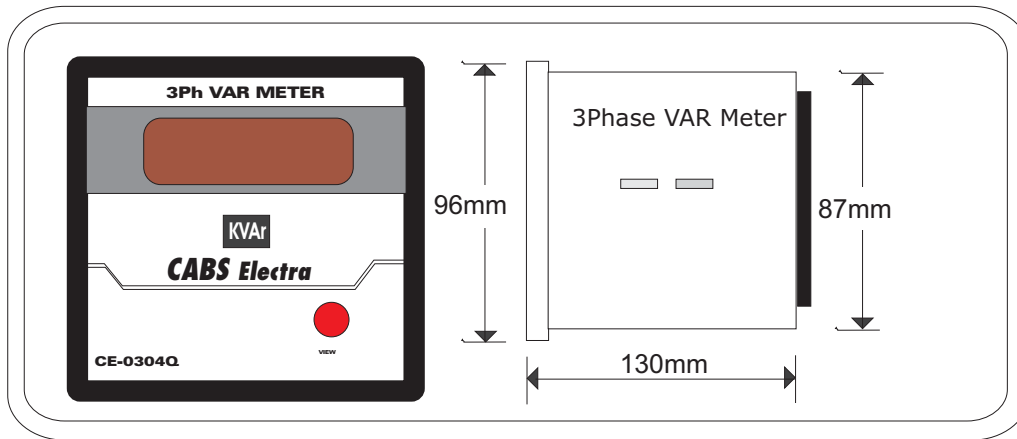


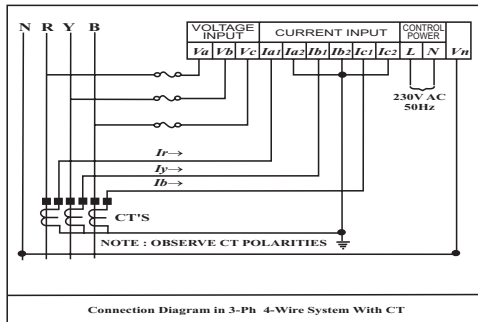
Microprocessor Based

## DIGITAL 3PHASE VAR/KVAR/MVAR METER

The CE03\*\* series of VAR meters are microprocessor based instruments that measure Reactive Power. They are suitable for direct line applications or for use in a HV system in conjunction with a CT having a 1Amp or 5Amp CT secondary and PT having a 110V secondary. The measured Reactive Power is continuously displayed in a 4-digit LED display on its front panel. A minimum of 10% or full load current is required for proper meter operation.



### CONNECTION DIAGRAM :



Specifications are subject to change without notice

MODEL	RANGE	SYSTEM VOLTAGE	ACCURACY	RESOLUTION
CE 0102Q	0-999.9KVar 1.0-9999MVar	230V, 1-PH with CT, HV system with CT & PT	± 1% of F/S +1 COUNT	1% of full SCALE
CE 0304Q CE 0303Q	0-9999.9KVar 1% of 1.0-9999MVar	400V, 3-PH, 4-wire with CT, HV system with CT & PT	± 1% of F/S + 1 COUNT	full SCALE

### TECHNICAL SPECIFICATIONS

Input Impedance	0.002 ohm for current circuit 1 Meg. ohm for voltage circuit.
Control Power	230 Volt AC ± 10%, 50/60 Hz, 3VA.
Voltage Input	250 V Max phase to neutral at any voltage terminal
Current Input	7A Max continuous at any current terminal
CT secondary	– 5 Amp or 1Amp( on order)
<b>Environmental</b>	
Operating Temperature:	0°C to 70°C
Storage Temperature:	- 20°C to 85°C
Relative Humidity:	95%
Dielectric	2 KV for 1 minute.

Made in India By:

**CABS ELECTRA INDUSTRIES.**

11, Ram Swarup Khettry Road,

New Alipore

Kolkata-700 053, Tel: (033)2498 8543/2400 8684

Authorised Dealer: